

Roger's Puzzle

Where: Paper Folder

I played craps for a while, but eventually folded.

Figure 1

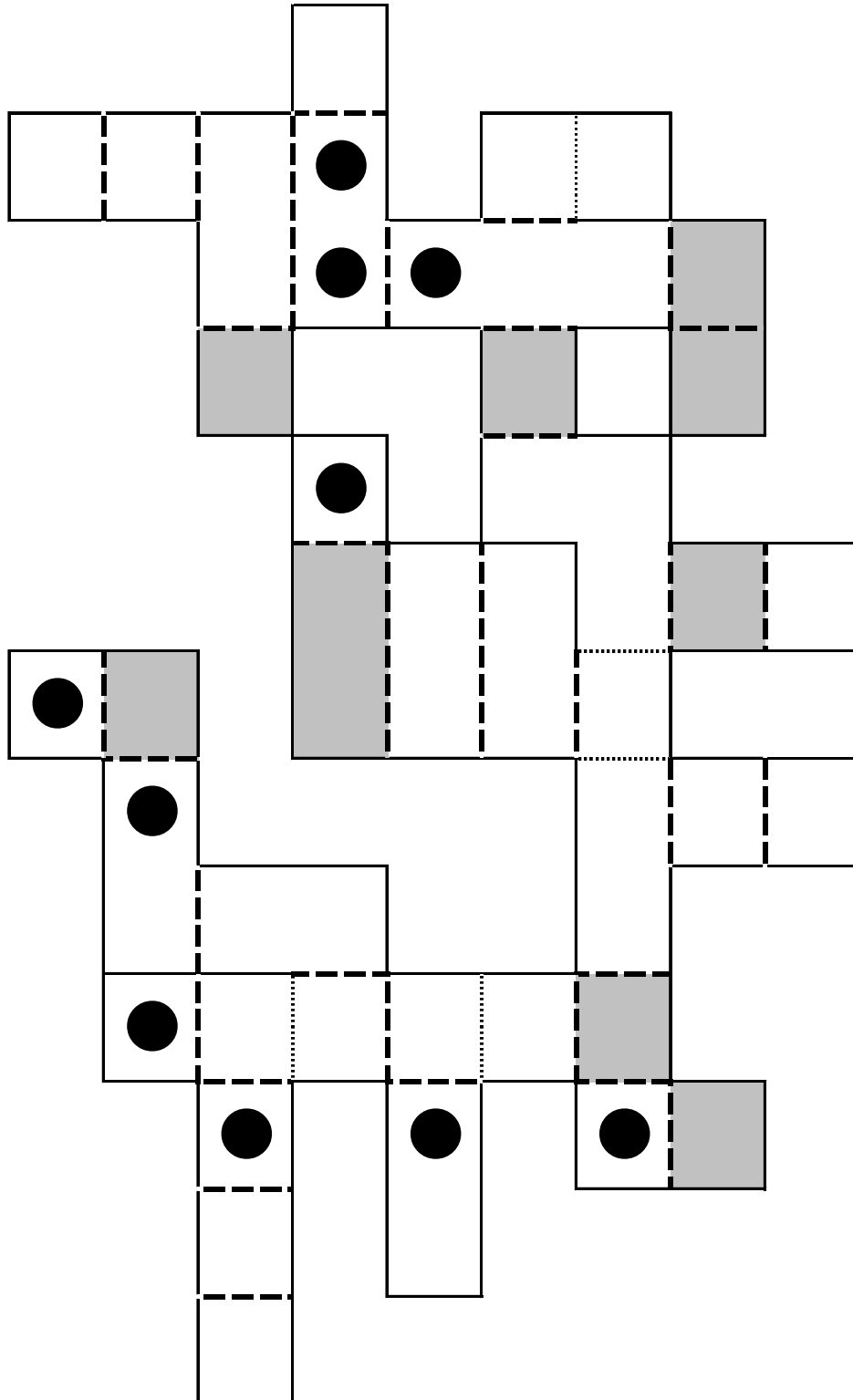


Figure 2

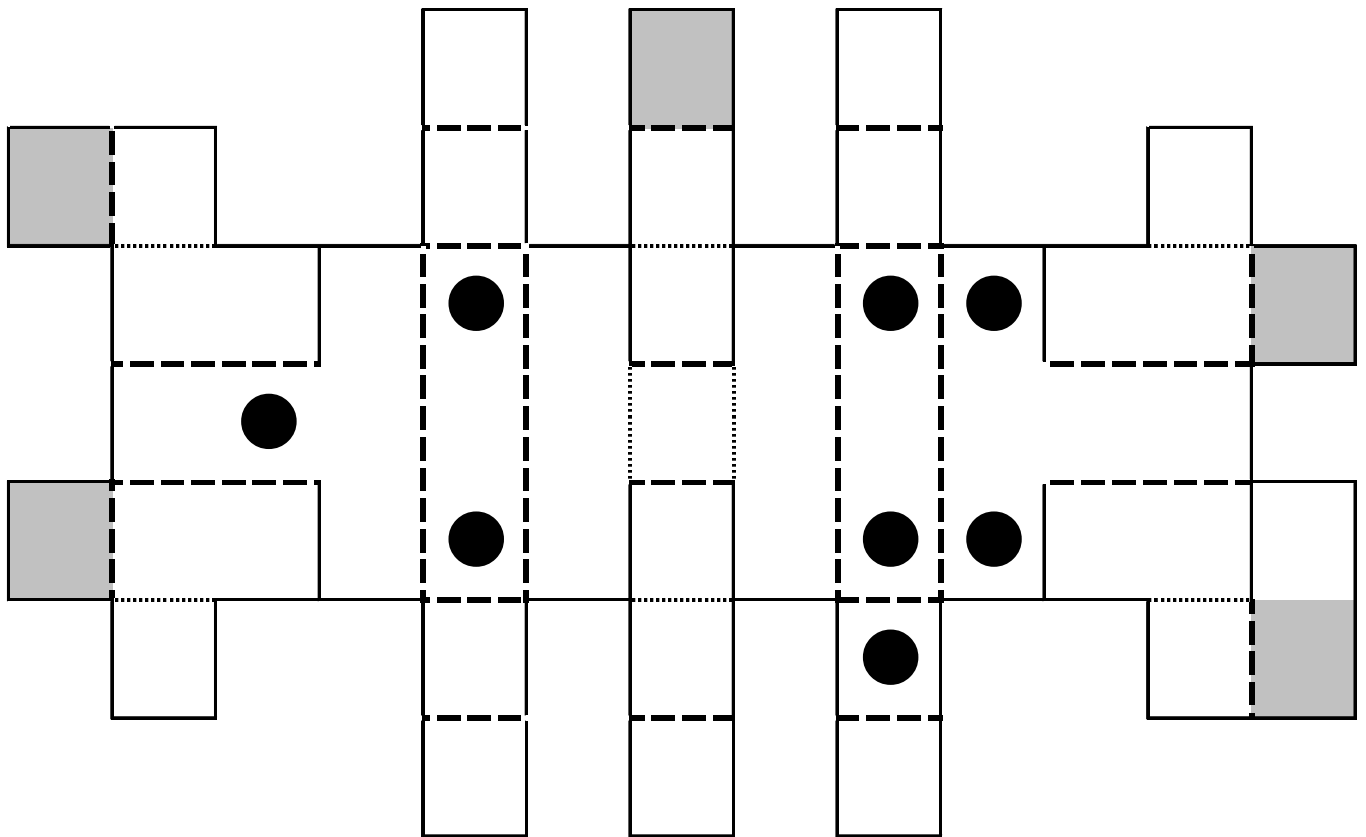


Figure 3

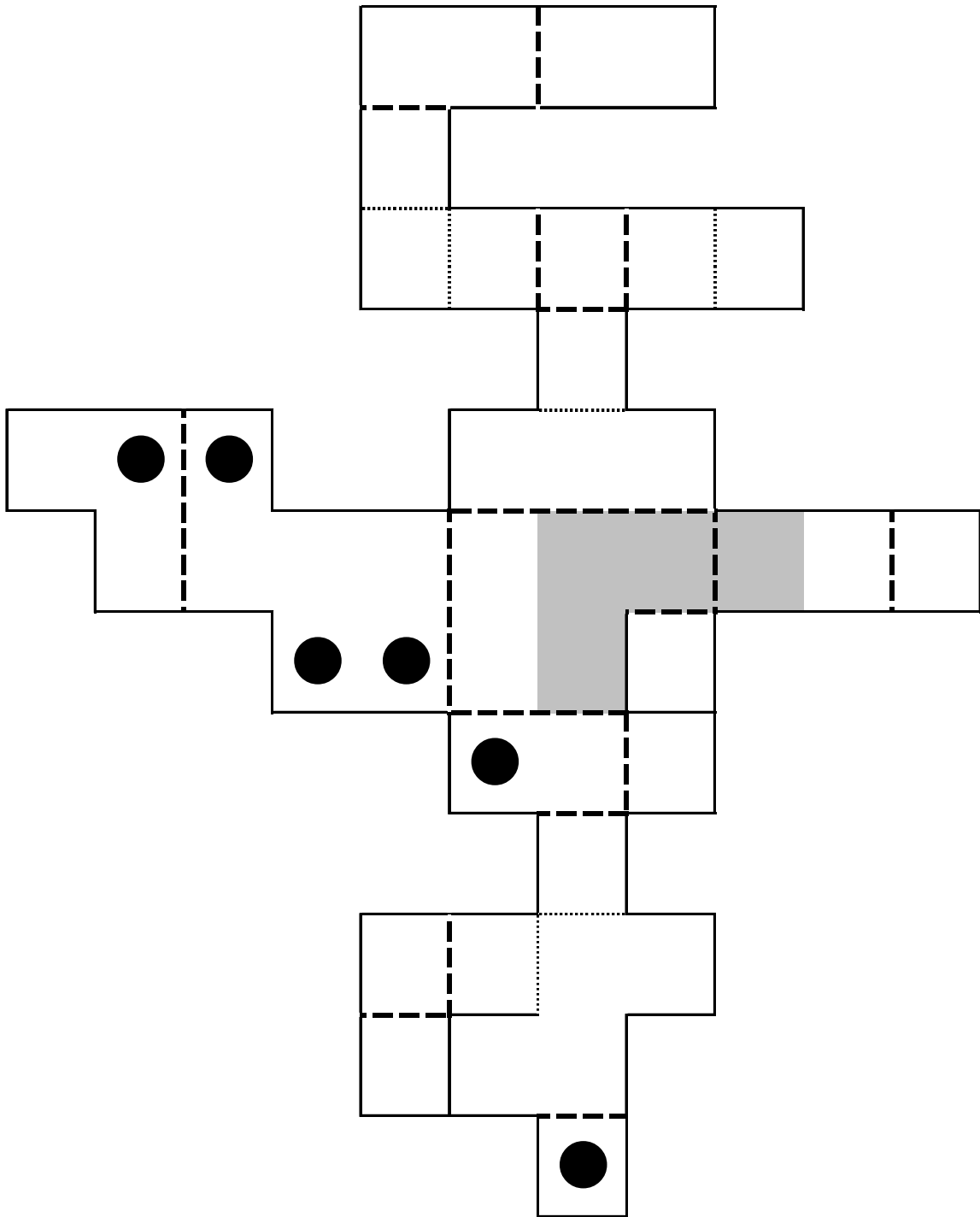


Figure 4

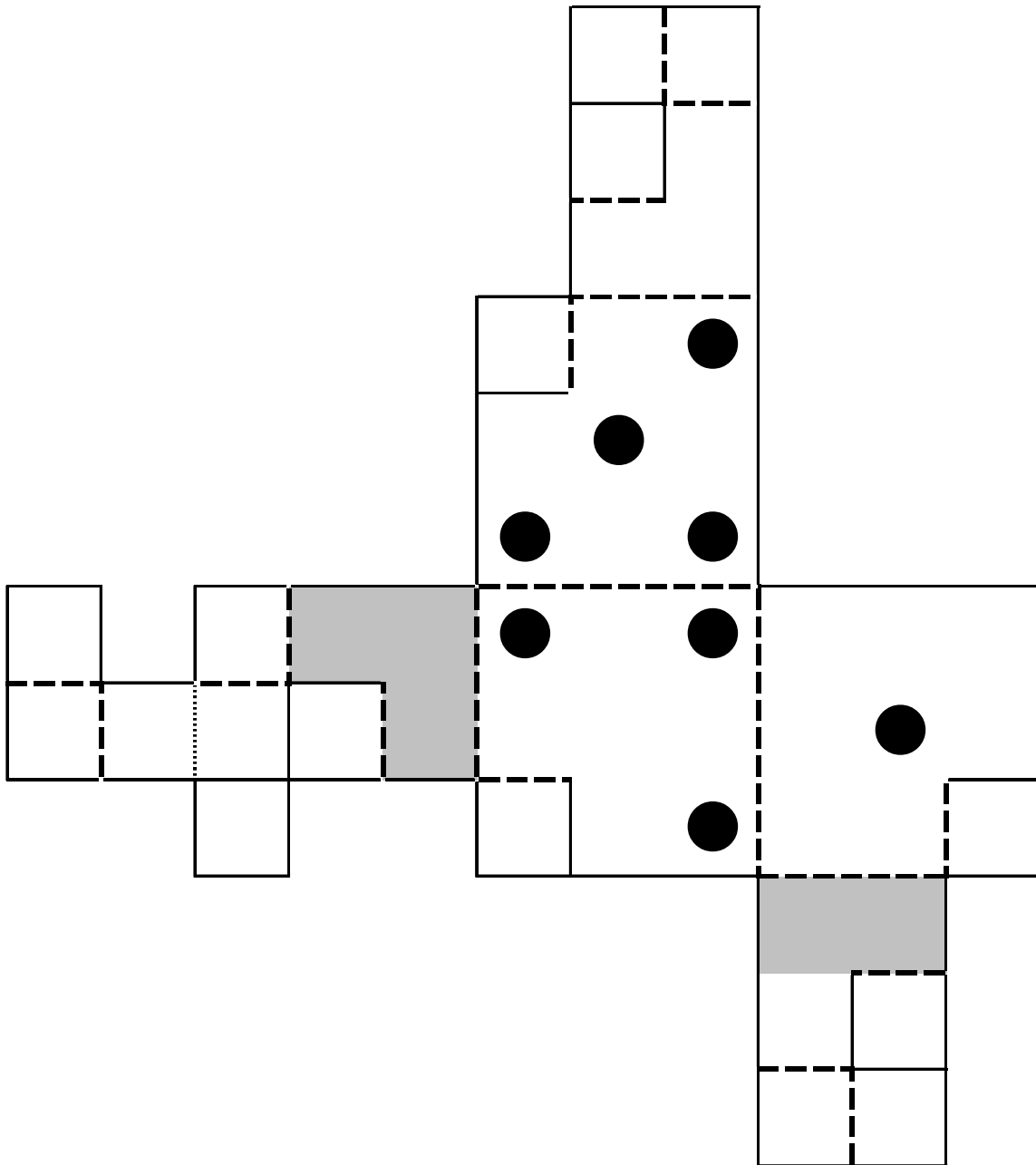


Figure 5

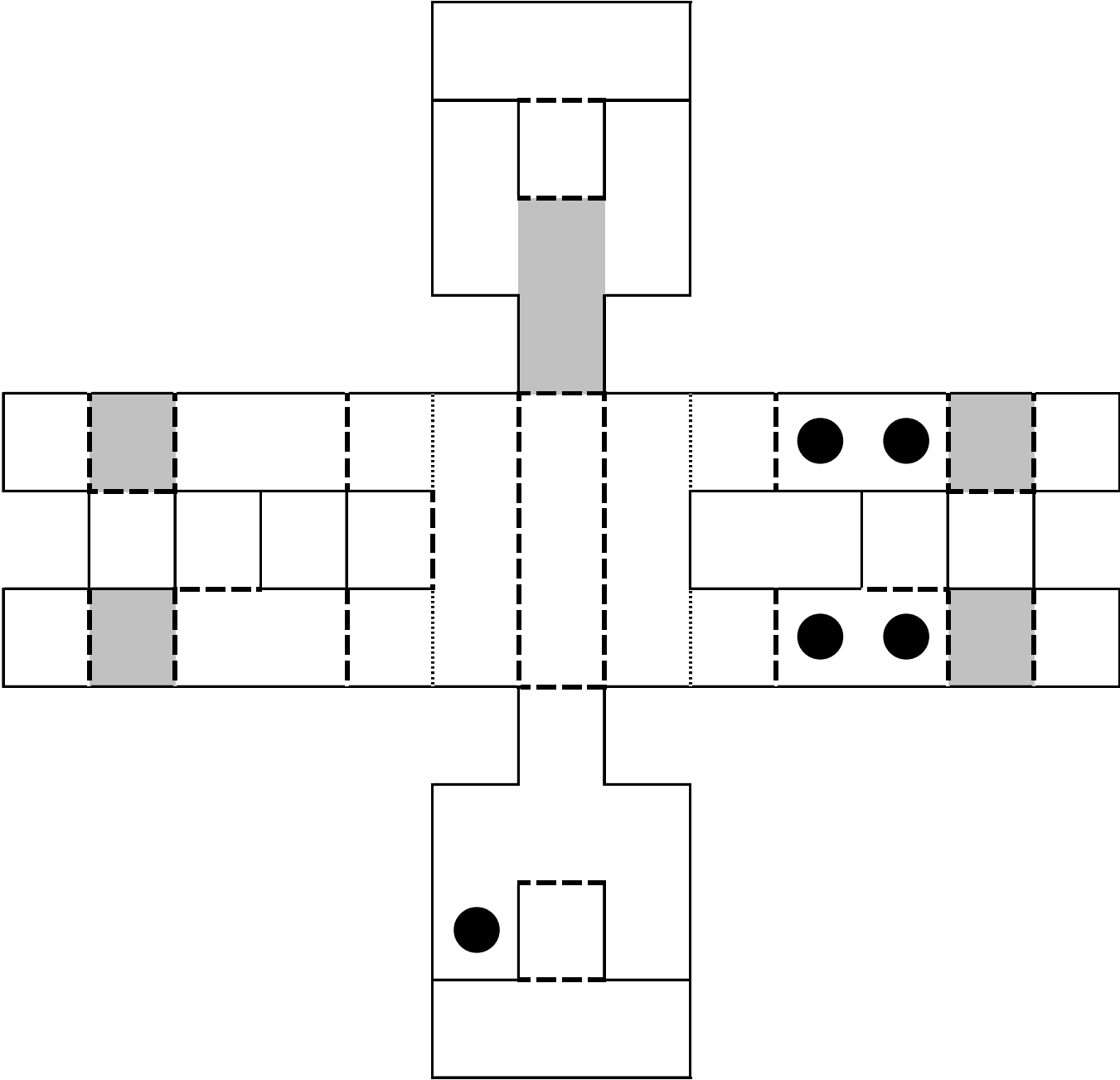


Figure 6

